

LED MODULE HOT PRODUCT

明星产品 MD1211 TriMo



特性 Features



高效能LED晶粒
High Performance LED Chips



专业光学设计
Professional Optics Design



操作环境 -10°C~40°C
Operating Temperature -10°C~40°C



暖白光演色性 > 80
CRI > 80 in Warm White Series



产品保固5年
Warranty: Product 5 Years



绝佳的散热处理技术
Excellent Thermal Solution



MD1211 TriMo



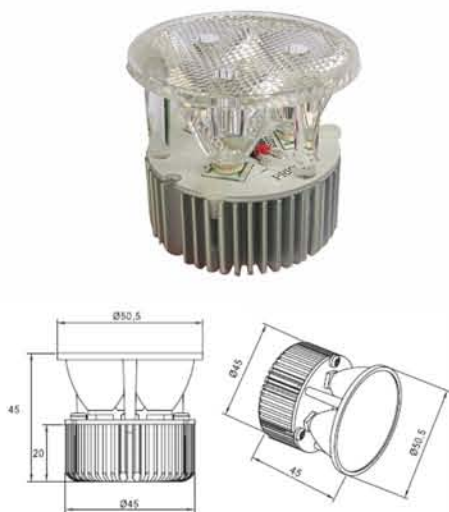
LED颗数	LED Q'ty	3
光源颜色	Color Temperature	5500K, 3000K
输入电压	Input Current	max.350mA
LED功率	Power Consumption	3.5W
流明值	Lumen Output	>80lm
光学角度	Beam Angle	15°, 30°
防护等级	Ingress Protection	IP20



MD1211 TriMo



LED颗数	LED Q'ty	3
光源颜色	Color Temperature	5500K, 3000K
输入电压	Input Current	max.700mA
LED功率	Power Consumption	7.5W
流明值	Lumen Output	>340lm
光学角度	Beam Angle	15°, 30°
防护等级	Ingress Protection	IP20

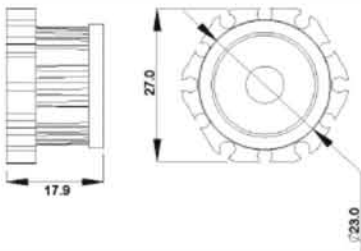
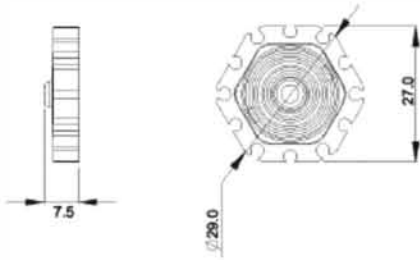


MD1211 TriMo



LED颗数	LED Q'ty	3
LED颜色	LED Color	RGB 全彩 (Color)
输入电压	Input Current	max.350mA
LED功率	Power Consumption	max. 3.5W
光学角度	Beam Angle	15°, 30°
防护等级	Ingress Protection	IP20
全彩驱动	Controller	LAP-600 DMX (Driver)

- 须使用于通风良好之灯具，确保散热与产品品质。
- 干燥地方使用，不可用于潮湿空气中使用。
- For use in open-air fixtures only.
- Use in dry location only, note for use where exposed to the weather.



MD1001 IPStar



LED颗数	LED Q'ty	1
LED颜色	LED Color	R, A, G, B, W, WA
输入电压	Input Current	max.350mA
LED功率	Power Consumption	1.2W
流明值	Lumen Output	>80lm
光学角度	Beam Angle	130°
防护等级	Ingress Protection	IP65

此产品需要良好散热并保持表面温度低于65°C。
Additional heat management system is required to keep surface temp. of the module at or below 65°C

MD1001 IPStar



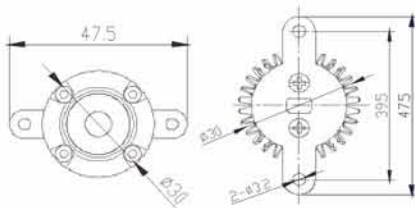
LED颗数	LED Q'ty	1
LED颜色	LED Color	R, A, G, B, W, WA
输入电压	Input Current	max.350mA
LED功率	Power Consumption	1.2W
流明值	Lumen Output	>80lm
光学角度	Beam Angle	15°, 25°, 45°, 12°x35°
防护等级	Ingress Protection	IP65

此产品需要良好散热并保持表面温度低于65°C。
Additional heat management system is required to keep surface temp. of the module at or below 65°C

MD1004 IPStar II



LED颗数	LED Q'ty	1
LED颜色	LED Color	R, A, G, B, W, WA
输入电压	Input Current	max.350mA
LED功率	Power Consumption	1.2W
流明值	Lumen Output	>80lm
光学角度	Beam Angle	15°, 25°, 45°, 12°x35°
防护等级	Ingress Protection	IP65



- 须使用于通风良好之灯具，确保散热与产品品质。
- 干燥地方使用，不可用于潮湿空气中使用。
- For use in open-air fixtures only.
- Use in dry location only, note for use where exposed to the weather.