

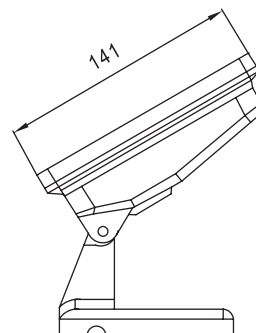
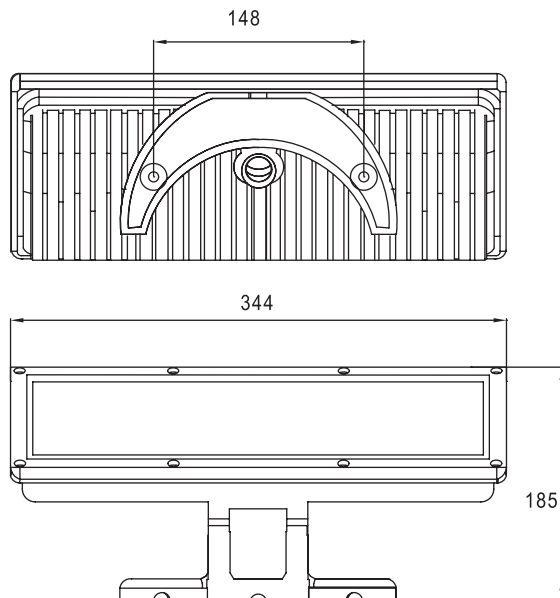
# LED FLOOD LIGHT F1013



## Specification

Input Voltage/ Frequency	350mA DC
LED Power Consumption	36W
Color	RGB
Color Rendering Index	> 80
Optic Beam Angle	25°, 60°
Operating Temperature	-10°C ~ +40°C
Lifespan (L70)*	35,000 hours.
Weight	3000g
Ingress Protection (IP)	65
Certification	CE, RoHS compliance
RGB Controlable	Drive by DR1015 DMX Driver

## Dimensions Unit:mm



\*Maintains at least 70% of initial lumen output



Primo Opto Group  
[Http:// www.primolite.com.tw](http://www.primolite.com.tw)  
 E-mail:sales@ primolite.com.cn